

BUSTER + PUNCH

**PUNCH BULB / PUCK**

TECH SPEC



**PUNCH BULB**

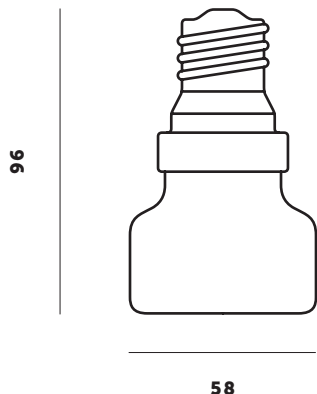
A small puck shaped LED light bulb, finished with in opal glass shell to give a uniform warm-white light.

busterandpunch.com  
info@busterandpunch.com

# BUSTER + PUNCH

## PUNCH BULB / PUCK / DIMMABLE

### TECH SPEC



<b>FINISH</b>	<b>SKU</b>
<input type="checkbox"/> warm white / dimmable	<b>BB-PI-E27-D-WH-B</b>
<b>SPECIFICATIONS</b>	
<p> <b>Power:</b> 5W  <b>Type:</b> Dimmable LED  <b>Screw fitting:</b> E27  <b>Supply:</b> 230 VAC  <b>Expected Life:</b> 30 000 hrs  <b>Lumen:</b> max 400  <b>Light appearance:</b> 2400k                 </p>	<p> <b>CRI:</b> 80  <b>Power factor:</b> 0.9  <b>Recommended dimmer module:</b> Buster + Punch LED module. (Sold with our dimmer switches)  <b>Please note:</b> Not suitable for DALI dimming systems.  <b>CE certified.*</b>  <b>For indoor use only.</b> </p>

**CARE INSTRUCTIONS**

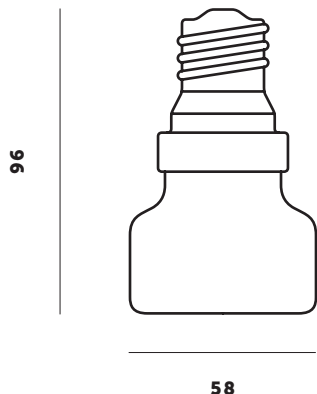
Wipe with damp cloth with no loose hairs, avoid using any chemicals. Please note all finishes are prone to aging.

\* Official data doc can be supplied upon request.



**PUNCH BULB / PUCK / NON-DIMMABLE**

TECH SPEC



<b>FINISH</b>	<b>SKU</b>
<input type="checkbox"/> warm white / dimmable	<b>BB-PI-E27-ND-WH-B</b>
<b>SPECIFICATIONS</b>	
<b>Power:</b> 2.5W <b>Type:</b> Non-dimmable LED <b>Screw fitting:</b> E27 <b>Supply:</b> 100-240 VAC <b>Expected Life:</b> 30 000 hrs <b>Lumen:</b> 200	<b>Light appearance:</b> 2400k <b>CRI:</b> 80 <b>Power factor:</b> 0.5 <b>CE certified.*</b> <b>For indoor use only.</b>

**CARE INSTRUCTIONS**

Wipe with damp cloth with no loose hairs, avoid using any chemicals. Please note all finishes are prone to aging.

\* Official data doc can be supplied upon request.