

## PRODUCT DATA SHEET

### Melampo Mega - Alluminium



#### DESIGN BY:

Adrien Gardère  
2005

#### MATERIALS:

Aluminium, zamak, silk satin fabric and technopolymer

#### DESCRIPTION:

Base in painted zamak; painted aluminium stem; diffuser in silk satin fabric on a plastic frame.

With dimmer. Adjustable diffuser into three different positions.

#### SELECT

EXTRA HALO / LED

Base

Aluminium grey

#### PRODUCT CODE

0577010A

#### Light emission



IP20



#### TECHNICAL DATA SHEET

#### FEATURES

Product name:	Melampo Mega - Alluminium
Article Code:	0577010A
Colour:	Aluminium grey
Material:	Aluminium, zamak, silk satin fabric and technopolymer
Series:	Design
Environment:	Indoor
Area contract:	Hospitality Hotel, Private Residence

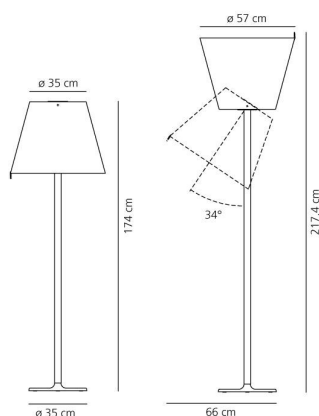
#### OPTICS

Emission:	Direct, Diffused Adjustable, indirect
-----------	---------------------------------------

#### DIMENSIONS

Height:	cm 174
Diameter:	cm 57
Base Diameter:	cm 35
Max Extension Height:	cm 217
Inclination:	34
Impact Resistance:	N/D
Glow Wire Test:	650 °

#### DIMENSIONS



#### COLOUR



#### LAMPS NOT INCLUDED

	Category:	HALO
	Number:	2
	Lbs:	Qt32
	Watt:	150W
	Socket:	E27
	Type:	Hsgsb/c
	Luminous Flux (lm):	2870lm
	Colour Rendering:	1a
	Colour temperature (K):	2900K
	Duration (h):	2000h

#### ALTERNATIVE LAMPS

##### LED retrofit

Category:	LED
Watt:	21W
Luminous Flux (lm):	2452lm

Socket: E27  
Class: A

#### LUMINAIR

Watt: 300W  
Voltage: 220V-240V  
Luminous Flux (lm): 2870lm  
CCT: 2900K

#### AWARDS

1999 – Design Innovationen Design Zentrum Nordrhein Westfalen Reddot Design Award Essen (Deutschland)