

1965 Pendant, EU

Designed by Paavo Tynell - 1947



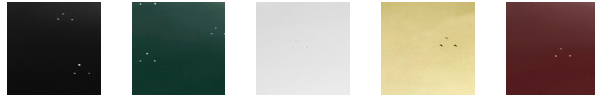
ITEM NUMBER	1965 Pendant (Shade: Soft Black Semi Matt)	10000001
	1965 Pendant (Shade: Bistro Green Semi Matt)	10000002
	1965 Pendant (Shade: Classic White Semi Matt)	10000003
	1965 Pendant (Shade: Polished Brass)	10000004
	1965 Pendant (Shade: Chianti Red Semi Matt)	10000005

DESCRIPTION

The 1965 Pendant was originally designed by Paavo Tynell in 1948. Like many of his best-known designs, the pendant was designed for the Finland House in New York - one of the most ambitious and successful projects of all time to showcase Finnish design. Perfecting the techniques of metal finishes, Tynell developed the 1965 Pendant with his exceptional ability to capture and translate a grace and exuberant lightness into his brass creations. Characterized by its triangular perforation pattern, an artistic detail utilised by Tynell in several of his lighting objects, the 1965 Pendant reflects the distinguished craftsmanship of the Finnish designer. With a frosted glass diffuser that softens the light, the pendant contributes to a subtle and tranquil environment.

Materials & Finishes

SHADE Soft Black Semi Matt, Bistro Green Semi Matt, Classic White Semi Matt, Polished Brass, Chianti Red Semi Matt



CANOPY FINISH

Brass polished



CORD SHAPE

Round

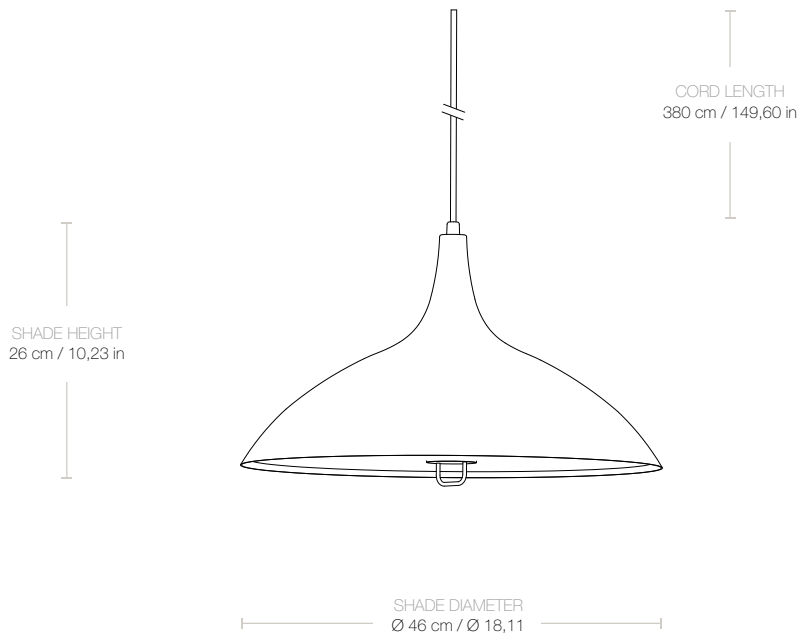
CORD COLOUR

Gold textile

MATERIALS

Steel

Dimensions



LAMP WIDTH

46 cm

LAMP DEPTH

46 cm

LAMP HEIGHT

26 cm

SHADE DIAMETER

Ø 46 cm

SHADE HEIGHT

26 cm

CANOPY DIAMETER

Ø 11 cm

CANOPY HEIGHT

11 cm

CORD LENGTH

380 cm

Weight

TOTAL WEIGHT	3,3 kg
--------------	--------


Packaging

NUMBER OF PARCELS	1
PACKAGING LENGTH	53 cm
PACKAGING WIDTH	53 cm
PACKAGING HEIGHT	35 cm
PACKAGING WEIGHT	1,8 kg
GROSS WEIGHT	5,1 kg

Electrical Specifications

BULB SOCKET	E27 (x3)
RECOMMENDED BULB	6W-10W LED 810 lm
SWITCH	No
VOLTAGE	240V
BULB INCLUDED	No

Test & Certifications

CERTIFICATION	
ISOLATION CLASS	II
IP CLASSIFICATION	20