

BESTLITE BL1 // TABLE LAMP, EU MODEL

BESTLITE COLLECTION

Designed by Robert Dudley Best

PRODUCT



Item no.: 001-0110X
+ style code

DESCRIPTION

Bestlite has been in continuous production since 1930. Robert Dudley Best created Bestlite design. He was highly influenced by the Bauhaus. In the past 80 years, people appreciated the lamps and it decorates many homes, hotels and restaurants worldwide. Loved by architects, designers and design aficionados throughout its 80-year history, today, Bestlite enjoys global iconic status.

VERSION - BESTLITE TABLE LAMP BL1

Shade and base: Black, White or Off-White
Tube and arm: Chrome

RAL codes are indicative.

- Fabric wire - Black:
- Black / White inside // RAL 9004 / RAL 9003 // Gloss level 8 / Gloss level 20
- Fabric wire - Off-White:
- Off-White / White inside // RAL 1015 / RAL 9003 // Gloss level 20 / Gloss level 20
- Fabric wire - White:
- White / White inside // RAL 9003 / RAL 9003 // Gloss level 20 / Gloss level 20

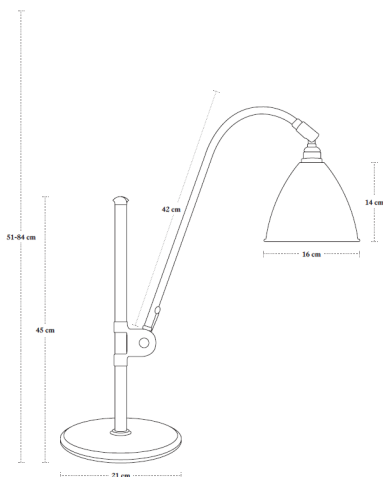
Please contact us for other colours or finishes.

VERSION

Order item - look for part number in the pricelist.

Series contains the following:

BL1, BL2



COLOURS



// White / Chrome

FACTS

MEASUREMENT - L X W X H MM

Lamp height: 510-840 mm
Lamp stand: Ø210 mm
Shade height: 140 mm
Shade diameter: Ø160 mm
Cord - total length w/sw: App. 2500 mm
Cord - exposed out of lamp: App. 2000 mm

WEIGHT ITEM - LAMP INCL. WIRE

3368 g

PACKAGING TYPE

White cardboard box w/ 5ply corrugated

PACKAGING MEASUREMENT - L X W X H CM

L:39 x W:62 x H:25 cm

WEIGHT PACKAGING - MATERIAL TYPE

- Paper Egg crate: 1106 g
- PE polybag: 100 g
- Bestlite key: 18 g
- PE polybag: 1 g
- Cardboard outside: 799 g
- Cardboard top: 85 g

WEIGHT PACKAGING - TOTAL

5477 g

NUMBER OF PARCELS

1 pcs.

LIGHT SOURCE:

- Socket: E14 base
- Recommended light source: *All fluorescens light bulbs*
- Recommended wattage: 9 W = (40 WATT incandescent bulbs)
- Max wattage: 13 W

- Recommended light source: *Halogen light bulb*
- Recommended wattage: 28 W = (40 WATT incandescent bulbs)
- It is possible to install with light dimmer

- All lamps can be fitted with a dimmer.
Please contact your local electrician.

- Lightbulb not included

BESTLITE BL1 // TABLE LAMP, EU MODEL

Designed by Robert Dudley Best

CLEANING AND MAINTENANCE

Use a soft damp cloth when cleaning your Bestlite lamp. Do not use household cleaners.

ACCESSORIES

Item no.: 001-99058A plug EU

ENVIRONMENT

-

TESTS

Class II IP20
BS EN 60598-2-4:1998 with BS EN 60598-1:2000

CERTIFICATION AND LABELS

CE-CERTIFIED

STANDARD

STOCK - BL1: Table lamp

- Euro plug: Type C, 2 PIN, 2,5 amp
- Euro voltage: 230 V
- Frequency: 50 Hz
- Supply voltage: AC power ~
- Normally Closed IP20



Class II / Double insulated



CE-Mark



Luminaires accepted for mounting on a flammable base

KOMPONENTS

- 01 // Shade
- 05 // Lamp holder
- 10 // Insulating ring
- 11 // Internal shade ring
- 12 // External shade ring
- 13 // Lamp holder cover
- 15 // Universal joint
- 16 // Bestlite arm
- 18 // Bestlite clip
- 19 // Bestlite nut
- 20 // Bestlite bolt
- 21 // Tension spring
- 22 // Fibre washer
- 23 // Cord grip
- 24 // Cord grip cover
- 25 // Acetate
- 26 // Top knob
- 28 // Tube
- 31 // Collar
- 33 // Base cover
- 36 // Feltac
- 38 // Textile covered cord
- 40 // Switch
- 14 // Bestlite key
- 58 // Plug

Item no.: 001-0110X



MATERIAL

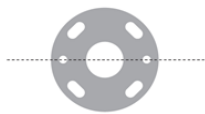
Shade and base: Powder coated aluminium
Tube and arm: Chromed steel
Textile covered cord

INSTALLATION INSTRUCTIONS

The Bestlite key:

It's a practical tool that enables you to fasten the lamp arm. Simply use it like a screwdriver in the slot

1.7 handle for positioning.
Cut out or make a groove, and use directly on your wall for accurate placing of the hole.
Always use the following layout.



Technical information:

Light source: E14 or E27 (maximum of 40W halogen bulb).
Not power of more than 40W bulb.

The lamp is not approved for outdoor use or use in damp/wet rooms.

Some advice on cleaning your Bestlite:

Powder coated parts - base/bracket and shade:
Wipe the parts with a damp cloth. Avoid to use water and a lot of mild detergent.

Chrome plated parts:
Wipe the parts with a damp cloth and avoid use of hot water.
If the surface is abraded use a mild polish inside accessible for chrome or other self-made.

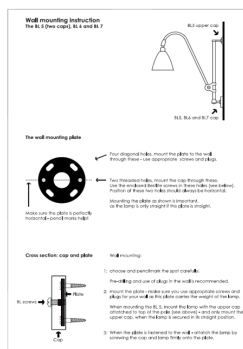
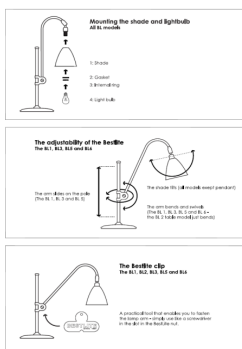
Use only soft cloths for wiping and polishing, never sponge or steel wool.
Do not use abrasive household cleaners.
Do not use acids or alkaline cleaning products, glass cleaner or household ammonia.

BESTLITE - GUBI, København 7-7, DK-2100, Copenhagen, Denmark - www.bestlite.com



Dear Bestlite customer,
Congratulations on your purchase!
You have chosen a classic design lamp, which has been meticulously produced and tested with care.
At the same time, it is a pleasure to see that you are a fan of Bestlite and will purchase it in your home.
Do not forget that Bestlite is a brand that has a long history and a reputation for quality and reliability.
We hope that you will enjoy using Bestlite for many years to come.
If you have any questions, please do not hesitate to contact us.
Best regards,
Bestlite

BESTLITE
STOCK - BL1



Designed by Robert Dudley Best

PRODUCT



Item no.: 001-0113X
+ style code

Don't polish the brass

DESCRIPTION

Bestlite has been in continuous production since 1930. Robert Dudley Best created Bestlite design. He was highly influenced by the Bauhaus. In the past 80 years, people appreciated the lamps and it decorates many homes, hotels and restaurants worldwide. Loved by architects, designers and design aficionados throughout its 80-year history, today, Bestlite enjoys global iconic status.

VERSION - BESTLITE TABLE LAMP BL1

Shade: Charcoalblack, Matt-White or Grey
Tube and arm: Brass with lacquered surface

Shade and base: Brass with lacquered surface
Tube and arm: Brass with lacquered surface

RAL codes are indicative.

- Fabric wire - Black:
- Charcoal black/Brass / White inside // RAL 9011 / RAL 9003 // Gloss level 20 / Gloss level 20
- Grey w/Brass / White inside // RAL 2604005 / RAL 9003 // Gloss level 30 / Gloss level 20
- Brass w/Brass / White inside // - / RAL 9003 // - / Gloss level 20

- Fabric wire - Off-White:
- Matt-White w/Brass / White inside // RAL 9003 / RAL 9003 // Gloss level 20 / Gloss level 20

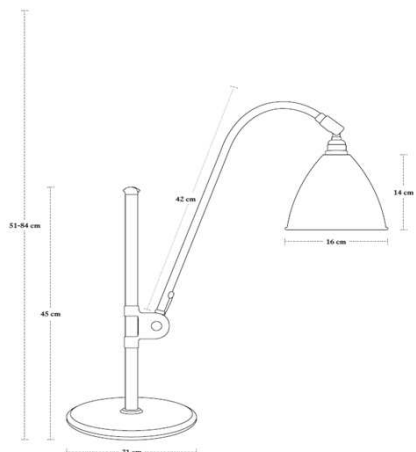
Please contact us for other colours or finishes.

VERSION

Order item - look for part number in the pricelist.

Series contains the following:

BL1, BL2



COLOURS



// Charcoal black / Brass



// Grey / Brass



// Matt-White / Brass



// All Brass

FACTS

MEASUREMENT - L X W X H MM

Lamp height: 510-840 mm
Lamp stand: Ø210 mm
Shade height: 140 mm
Shade diameter: Ø160 mm
Cord - total length w/sw: App. 2500 mm
Cord - exposed out of lamp: App. 2000 mm

WEIGHT ITEM - LAMP INCL. WIRE

3368 g

PACKAGING TYPE

White cardboard box w/ 5ply corrugated

PACKAGING MEASUREMENT - L X W X H CM

L:39 x W:62 x H:25 cm

WEIGHT PACKAGING - MATERIAL TYPE

- Paper Egg crate: 1106 g
- PE polybag: 100 g
- Bestlite key: 18 g
- PE polybag: 1 g
- Cardboard outside: 799 g
- Cardboard top: 85 g

WEIGHT PACKAGING - TOTAL

5477 g

NUMBER OF PARCELS

1 pcs.

LIGHT SOURCE:

- Socket: E14 base
- Recommended light source: *All fluorescens light bulbs*
- Recommended wattage: 9 W (= 40 WATT incandescent bulbs)
- Max wattage: 13 W

- Recommended light source: *Halogen light bulb*
- Recommended wattage: 28 W (= 40 WATT incandescent bulbs)
- *It is possible to install with light dimmer*

- *All lamps can be fitted with a dimmer.*
Please contact your local electrician.

- *Lightbulb not included*

CLEANING AND MAINTENANCE

Use a soft damp cloth when cleaning your Bestlite lamp. Do not use household cleaners.

ACCESSORIES

Item no.: 001-99058A plug EU

ENVIRONMENT

-

TESTS

Class II IP20
BS EN 60598-2-4:1998 with BS EN 60598-1:2000

CERTIFICATION AND LABELS

CE-CERTIFIED

STANDARD

STOCK - BL1: Table lamp

- Euro plug: Type C, 2 PIN, 2,5 amp
- Euro voltage: 230 V
- Frequency: 50 Hz
- Supply voltage: AC power ~
- Normally Closed IP20



Class II / Double insulated



CE-Mark



Luminaires accepted for mounting on a flammable base

KOMPONENTS

Item no.: 001-0113X

- 01 // Shade
- 05 // Lamp holder
- 10 // Insulating ring
- 11 // Internal shade ring
- 12 // External shade ring
- 13 // Lamp holder cover
- 15 // Universal joint
- 16 // Bestlite arm
- 18 // Bestlite clip
- 19 // Bestlite nut
- 20 // Bestlite bolt
- 21 // Tension spring
- 22 // Fibre washer
- 23 // Cord grip
- 24 // Cord grip cover
- 25 // Acetate
- 26 // Top knob
- 28 // Tube
- 31 // Collar
- 33 // Base cover
- 36 // Feltac
- 38 // Textile covered cord
- 40 // Switch
- 14 // Bestlite key
- 58 // Plug

MATERIAL

Shade and base: Powder coated aluminium
Tube and arm: Brass with lacquered surface
Textile covered cord

Shade and base: Brass with lacquered surface
Tube and arm: Brass with lacquered surface
Textile covered cord

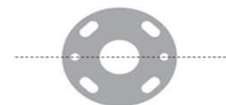


INSTALLATION INSTRUCTIONS

The Bestlite key:

It's a practical tool that enables you to fasten the lamp arm. Simply use it like a screwdriver in the slot in the Bestlite nut.

Technical information:
Read and use these instructions carefully and use them for accurate placing of the fixture. Make sure the installation is correct.



Light source: E14 or E27 incandescent or LED halogen bulb.
Not power of when changing light bulb.
For safety, first disconnect the power and use a dimmer switch.

Some advice on cleaning your Bestlite:

Powder coated parts - Base, bracket and shade:
Wipe the parts with a damp cloth. Do not use water and do not use oil-based cleaners.

Chrome plated parts:
Wipe the parts with a damp cloth and then dry with a soft cloth.
If the surface shows any irregularities, clean regularly with a soft cloth.

Use only soft cloth for wiping and polishing, never sponges or other wool.
Do not use abrasive household cleaners.
Do not use water or other cleaning products, glass cleaner or household products.

BESTLITE - GUBI (B&B) A/S, 2800, Copenhagen, Denmark - www.bestlite.com



Bestlite key:
The Bestlite key is a practical tool that enables you to fasten the lamp arm. Simply use it like a screwdriver in the slot in the Bestlite nut.

BESTLITE
BESTLITE COLLECTION

