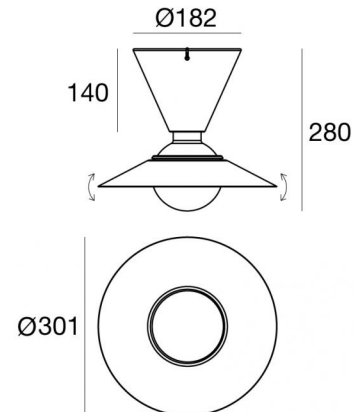




Ceiling Lights | 220-240 V | 1xE27
8967



| Technical data | |
|--|--------------------------------|
| Designer | De Pas - D'urbino - Lomazzi |
| Construction year | 1978 |
| Type | Ceiling Lights |
| Installation position | Ceiling |
| Installation environment | Indoor |
| Power | 1 x 11 W |
| Lamp cap | 1 x E27 |
| Frequency | 50-60 Hz |
| Optics | General Lighting |
| Light emission direction | downward and upward |
| Safety class | 1 |
| IP | IP20 |
| Glow wire test | 850° |
| Direct mounting on normally flammable surfaces | Yes |
| CE | Yes |
| Dimmable article | No |
| Directional | No |
| Tilting | Yes |
| total angle (horizontal plane) | 90 ° |
| Walk-over | No |
| Drive-over | No |
| Cable included | No |
| Electric socket | Type L |
| Resin potting | No |
| Net weight | 1,195 Kg |

| Finishing diffuser | |
|--------------------|----------------|
| Material | Aluminium |
| Colour | white RAL 9010 |
| Processing | Coating |
| Finishing base | |
| Material | PU |
| Colour | Matt Black |



Ceiling Lights | 220-240 V | 1xE27
8967

Single emission ceiling lights for indoor application. LED lamplamp included, lamp cap 1xE27.

The diffuser is made of aluminium with a coating treatment. The ingress protection degree is IP20; the total weight is of 1,195 kg.

The device features protection class I and can be ceiling-mounted.

Compliant with the EN 60598-1 standard and its specific provisions.

Illuminotechnical Features

| | |
|------------------------|---------|
| Source lumens | 1520 lm |
| Colour temperature | 2700 K |
| Colour rendering index | 80 Ra |