

## PRODUCT DATA SHEET

### Mercury Ceiling LED 2700K



#### DESIGN BY:

Ross Lovegrove  
2011

#### MATERIALS:

Aluminium, ABS, steel

#### DESCRIPTION:

Lamp available in the suspension and ceiling versions. "A ceiling fixture that places a floating assembly of large pebbles below a simple modern aluminium disc. These in turn reflect each other bouncing light between their taught bio - morphic surfaces and reflecting the environment around them. During the day the piece acts as a sculptural object reflecting the dynamics of natural light and the movement of people around them. Die-cast aluminium lighting units; reflective units made of injection-moulded thermoplastic material with metallic finish; stainless steel reflector. Dimmable (SwitchDim).

#### SELECT

LED

Polished chrome

#### PRODUCT CODE

1366W10A

#### Light emission



IP20

#### Dimmable

#### TECHNICAL DATA SHEET

#### FEATURES

Product name:	Mercury Ceiling LED 2700K
Article Code:	1366W10A
Colour:	Polished chrome
Material:	Aluminium, ABS, steel
Series:	Design, Hydro
Environment:	Indoor
Area contract:	Hospitality Hotel, Office, Private Residence

#### OPTICS

Emission:	Indirect
-----------	----------

#### DIMENSIONS

Height:	cm 55
Diameter:	cm 110
Glow Wire Test:	650 °

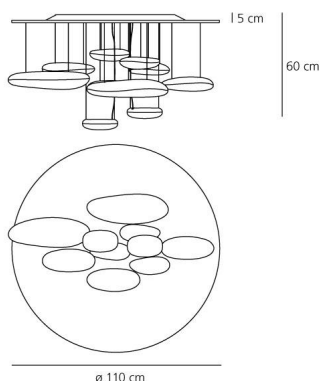
#### LAMPS INCLUDED

Category:	LED COB
Number:	2
Watt:	29W
Color temperature (K):	2700K
Class:	A

#### LUMINAIR

Watt:	58W
Voltage:	220V-240V
Luminous Flux (lm):	2893lm
CCT:	2700K
Efficiency:	54%
Efficacy:	49.88lm/W
CRI:	90
Dimmable Typology:	Push

#### DIMENSIONS



#### COLOUR



---

**AWARDS**

2008 – Good Design Award The Chicago Atheneum, Chicago (US)

## PRODUCT DATA SHEET

### Mercury Ceiling LED 3000K



#### DESIGN BY:

Ross Lovegrove  
2011

#### MATERIALS:

Aluminium, ABS, steel

#### DESCRIPTION:

Lamp available in the suspension and ceiling versions. "A ceiling fixture that places a floating assembly of large pebbles below a simple modern aluminium disc. These in turn reflect each other bouncing light between their taught bio - morphic surfaces and reflecting the environment around them. During the day the piece acts as a sculptural object reflecting the dynamics of natural light and the movement of people around them. Die-cast aluminium lighting units; reflective units made of injection-moulded thermoplastic material with metallic finish; stainless steel reflector. Dimmable (SwitchDim).

#### SELECT

LED

Polished chrome

#### PRODUCT CODE

1366110A

#### Light emission



IP20

#### Dimmable

#### TECHNICAL DATA SHEET

#### FEATURES

Product name:	Mercury Ceiling LED 3000K
Article Code:	1366110A
Colour:	Polished chrome
Material:	Aluminium, ABS, steel
Series:	Design, Hydro
Environment:	Indoor
Area contract:	Hospitality Hotel, Office, Private Residence

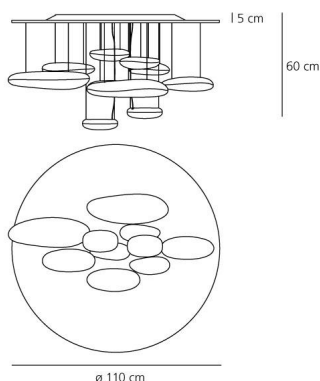
#### OPTICS

Emission:	Indirect
-----------	----------

#### DIMENSIONS

Height:	cm 55
Diameter:	cm 110
Glow Wire Test:	650 °

#### DIMENSIONS



#### LAMPS INCLUDED

LED	Category:	LED COB
	Number:	2
	Watt:	29W
	Color temperature (K):	3000K

#### COLOUR



#### LUMINAIR

Watt:	58W
Voltage:	220V-240V
Luminous Flux (lm):	3094lm
CCT:	3000K
Efficiency:	54%
Efficacy:	53.34lm/W
CRI:	90
Dimmable Typology:	Push

2008 – Good Design Award The Chicago Atheneum, Chicago (US)

## PRODUCT DATA SHEET

### Mercury Ceiling



#### DESIGN BY:

Ross Lovegrove  
2007

#### MATERIALS:

Aluminium, ABS, steel

#### DESCRIPTION:

Lamp available in the suspension and ceiling versions. "A ceiling fixture that places a floating assembly of large pebbles below a simple modern aluminium disc. These in turn reflect each other bouncing light between their taught bio - morphic surfaces and reflecting the environment around them. During the day the piece acts as a sculptural object reflecting the dynamics of natural light and the movement of people around them. Die-cast aluminium lighting units; reflective units made of injection-moulded thermoplastic material with metallic finish; die-cast aluminium reflector.

#### SELECT

EXTRA HALO / LED

Polished chrome

#### PRODUCT CODE

1396110A

#### Light emission



IP20

#### Dimmable

#### TECHNICAL DATA SHEET

#### FEATURES

Product name:	Mercury Ceiling
Article Code:	1396110A
Colour:	Polished chrome
Material:	Aluminium, ABS, steel
Series:	Design, Hydro
Environment:	Indoor
Area contract:	Hospitality Hotel, Office, Private Residence

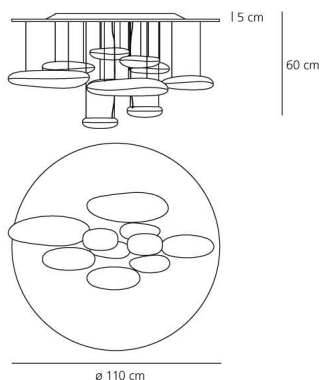
#### OPTICS

Emission:	Indirect
-----------	----------

#### DIMENSIONS

Height:	cm 60
Diameter:	cm 110
Glow Wire Test:	960 °

#### DIMENSIONS



#### LAMPS NOT INCLUDED

Category:	HALO
Number:	2
Lbs:	Qt-de12
Watt:	160W
Socket:	R7s
Type:	Hdg
Luminous Flux (lm):	3300lm
Colour Rendering:	1a
Colour temperature (K):	2950K
Duration (h):	2000h

#### COLOUR



#### ALTERNATIVE LAMPS

##### LED retrofit

Category:	LED
Watt:	11w
Luminous Flux (lm):	1110lm
Socket:	R7s
Class:	A

<b>Watt:</b>	2x160W
<b>Voltage:</b>	220V-240V
<b>Luminous Flux (lm):</b>	6600lm
<b>CCT:</b>	2950K

#### **AWARDS**

2008 – Good Design Award The Chicago Atheneum, Chicago (US)