


FLOS

 F6380075 Orange

Snoopy

Designed by Achille and Pier Giacomo Castiglioni, 1967



Halogen - 150W

Table lamp giving direct light with enamelled metal reflector and white Carrara's marble base. It was designed by Achille e Pier Giacomo Castiglioni in 1967.

Are you a professional and your project needs consulting and support?

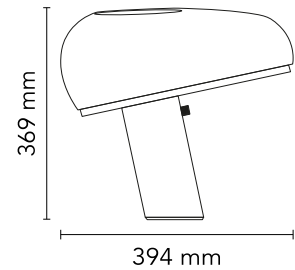
[BOOK AN APPOINTMENT](#)

Main specifications

Mounting	Table
Environments	Indoor dry location
Light Source Type	Bulb
Lamp category	Halogen
Lamp type	A60
Lamp holders	E27
Ilcos	HSGS
Bulb finish	Frosted
Number of heads	1
Power (W)	150
System power (W)	150

Physical

Colour	Orange
Length (mm)	394
Net weight (kg)	7.99
Package height (mm)	465
Package width (mm)	470
Package length (mm)	385
Package volume (m3)	0.1
IP internal	20



Download

[Mounting instructions](#)  PDF

[Spare Parts](#)  PDF

Photometric Files

[LDT / IES](#)  LDT

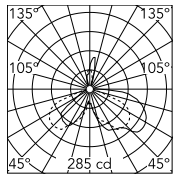
Technical Drawings

[2D](#)  ZIP

[3D](#)  ZIP



Schematic light drawing



Luminous flux Luminaire
2400 lm

Photometric

Lighting type	Indirect, Direct
Light distribution	Asymmetric

Electrical

Insulation class	II
Frequency (Hz)	50/60
Main voltage (Vac)	220-240
LED voltage Vf (Vdc)	null
Dimmable	Yes
Dimming interface	Dimmer Integrated
Plug type	Type C
Batteries inside	No

Bulbs



NOT INCLUDED

RF25317

LED Opal Lamp E27 8W 3000K
A60 Dimmable

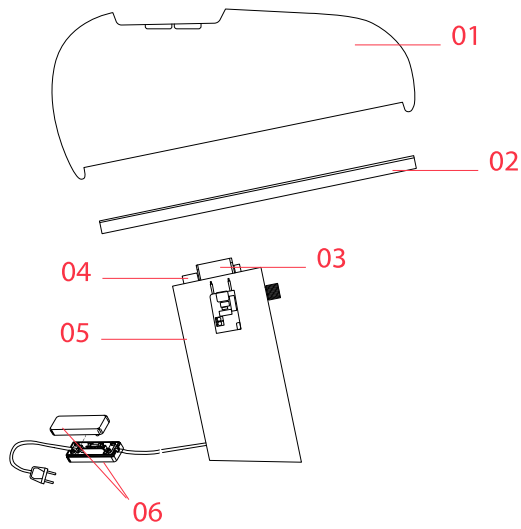


NOT INCLUDED

RF25323

LED Opal Lamp E27 8W 2700K
A60 Dimmable

Spare Parts



- | | | |
|-----|-----------------------------------|---------|
| 01. | Snoopy Reflector | RF16089 |
| 02. | Snoopy glass diffuser | RF84656 |
| 03. | E27 lamp holder | RF11912 |
| 04. | Ring nut | RF11919 |
| 05. | Electronic touch dimmer | RF26254 |
| 06. | Electrical assembly with fuse box | RF12478 |

DOWNLOAD



RF16089

Snoopy Reflector



RF84656

Snoopy glass diffuser



RF11912

E27 lamp holder



RF11919

Ring nut



RF26254

Electronic touch dimmer



RF12478

Electrical assembly with fuse box