

PRODUCT DATA SHEET

Demetra Led white wall with Movement Detector - Body 2700K



DESIGN BY:

Naoto Fukasawa
2013

MATERIALS:

Aluminium, technopolymer

DESCRIPTION:

Demetra parete MD: this table model features a Motion Detector option detecting moving objects and people and turning the light on or off accordingly.

SELECT

LED

Wall

white

PRODUCT CODE

1735W20A

Light emission



Dimmable + -

TECHNICAL DATA SHEET

FEATURES

Product name: Demetra Led white wall with Movement Detector - Body 2700K
 Article Code: 1735W20A
 Colour: white
 Material: Aluminium, technopolymer
 Series: Design

DIMENSIONS

Length: cm 63.5
 Height: cm 63.7
 Diameter: cm 13
 Impact Resistance: N.D.
 Glow Wire Test: 650 °

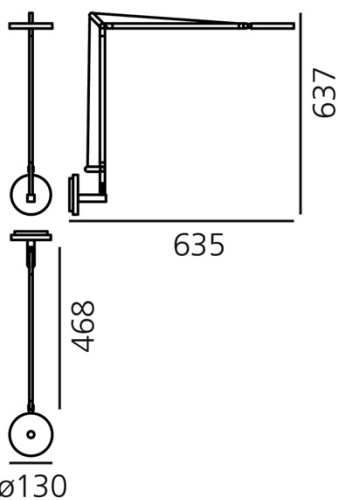
LAMPS INCLUDED

Category: LED COB
 Number: 1
 Watt: 8W
 Color temperature (K): 2700K
 Class: A

LUMINAIR

Watt: 8W
 Voltage: 100V-240V
 Luminous Flux (lm): 360lm
 CCT: 2700K
 CRI: 90
 Dimmer Typology: Microswitch Dimmer

DIMENSIONS



COLOUR



ACCESSORIES



DEMETRA SUPPORTO W BCO
1742020A

PRODUCT DATA SHEET

Demetra Led white wall with Movement Detector - Body 3000K



DESIGN BY:

Naoto Fukasawa
2013

MATERIALS:

Aluminium, technopolymer

DESCRIPTION:

Demetra parete MD: this table model features a Motion Detector option detecting moving objects and people and turning the light on or off accordingly.

SELECT

LED

Wall

white

PRODUCT CODE

1735020A

Light emission



Dimmable

TECHNICAL DATA SHEET

FEATURES

Product name: Demetra Led white wall with Movement Detector - Body 3000K
 Article Code: 1735020A
 Colour: white
 Material: Aluminium, technopolymer
 Series: Design

DIMENSIONS

Length: cm 63.5
 Height: cm 63.7
 Diameter: cm 13
 Impact Resistance: N.D.
 Glow Wire Test: 650 °

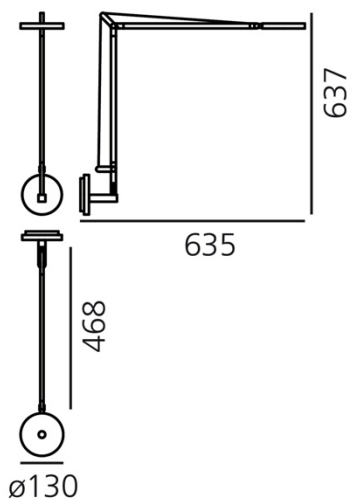
LAMPS INCLUDED

Category: LED COB
 Number: 1
 Watt: 8W
 Color temperature (K): 3000K
 Class: A

LUMINAIR

Watt: 8W
 Voltage: 220V-240V
 Luminous Flux (lm): 385lm
 CCT: 3000K
 Efficiency: 54%
 Efficacy: 48.08lm/W
 CRI: 90
 Dimmer Typology: Microswitch Dimmer

DIMENSIONS



COLOUR





DEMETRA SUPPORTO W BCO
1742020A

PRODUCT DATA SHEET

Demetra Led black wall - Body 2700K



DESIGN BY:

Naoto Fukasawa
2013

MATERIALS:

Aluminium, technopolymer

DESCRIPTION:

SELECT

LED

Wall

black

PRODUCT CODE

1734W40A

Light emission



Dimmable

TECHNICAL DATA SHEET

FEATURES

Product name: Demetra Led black wall - Body 2700K
 Article Code: 1734W40A
 Colour: black
 Material: Aluminium, technopolymer
 Series: Design

DIMENSIONS

Length: cm 63.5
 Height: cm 63.7
 Diameter: cm 13
 Impact Resistance: N.D.
 Glow Wire Test: 650 °

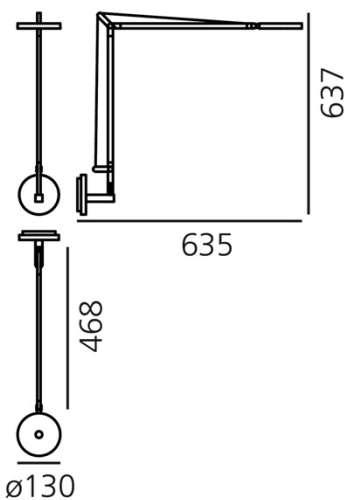
LAMPS INCLUDED

Category: LED COB
 Number: 1
 Watt: 8W
 Color temperature (K): 2700K
 Class: A

LUMINAIR

Watt: 8W
 Voltage: 100V-240V
 Luminous Flux (lm): 360lm
 CCT: 2700K
 Efficiency: 54%
 Efficacy: 45.00lm/W
 CRI: 90
 Dimmer Typology: Microswitch Dimmer

DIMENSIONS



COLOUR



ACCESSORIES



Demetra Supporto W NRO
1742040A

PRODUCT DATA SHEET

Demetra Led white wall - Body 3000K



DESIGN BY:

Naoto Fukasawa
2013

MATERIALS:

Aluminium, technopolymer

DESCRIPTION:

SELECT

LED

Wall

white

PRODUCT CODE

1734020A

Light emission



Dimmable

TECHNICAL DATA SHEET

FEATURES

Product name: Demetra Led white wall - Body 3000K
 Article Code: 1734020A
 Colour: white
 Material: Aluminium, technopolymer
 Series: Design

DIMENSIONS

Length: cm 63.5
 Height: cm 63.7
 Diameter: cm 13
 Impact Resistance: N.D.
 Glow Wire Test: 650 °

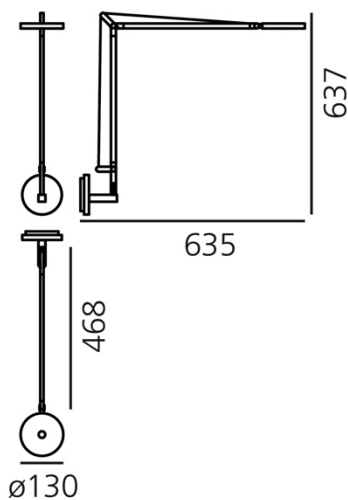
LAMPS INCLUDED

Category: LED COB
 Number: 1
 Watt: 8W
 Color temperature (K): 3000K
 Class: A

LUMINAIR

Watt: 8W
 Voltage: 220V-240V
 Luminous Flux (lm): 385lm
 CCT: 3000K
 Efficiency: 54%
 Efficacy: 48.08lm/W
 CRI: 90
 Dimmer Typology: Microswitch Dimmer

DIMENSIONS



COLOUR



ACCESSORIES



DEMETRA SUPPORTO W BCO
1742020A