



## Height-adjustable work desk

For a flexible and ergonomic work environment. Electric height adjustable table offers comfort and ergonomics to your workstation by enabling standing up while working. The table has a cable tray where all the wires can be neatly stored. Designed by Anna von Schewen and Björn Dahlström.

### About the designers – Björn and Anna

Architect and designer Anna von Schewen is considered one of Sweden's most progressive and experimental designers. She has together with her partner Björn Dahlström designed several products for String Furniture. Björn Dahlström is also a well-established Swedish industrial designer. He is represented in various museums around the world, including the national Museum for Art, Architecture and Design in Oslo, The Museum of Design & Craft (The Röhsska Museum) in Gothenburg and Victoria & Albert Museum in London.

### Product dimensions

Desktop options 120x78 cm / 140x78 cm / 160x78 cm / 180x90 cm

Conference table option 360x90 cm

Height adjustable between 71,5-118,5 cm

### Package dimensions

Table frame

W: 77 cm H: 26 cm D: 64 cm

Weight: 30,6 kg

Transported flat-packed, assembly needed.

Desktop

W: 127 cm H: 4cm D:84 cm / Weight: 18,1 kg

W: 147 cm H: 4cm D:84 cm / Weight: 21,3 kg

W: 166 cm H: 4cm D:84 cm / Weight: 24,2 kg

W: 186 cm H: 4cm D:96 cm / Weight: 31,1 kg

Transported flat-packed, assembly needed.

### Weight recommendation

60 kg evenly spread across the desktop.

### Materials and colors

Table frame in powder coated steel.

Desktop of MDF with surface options: laminate, veneer.

Linoleum or a fine texture coating.

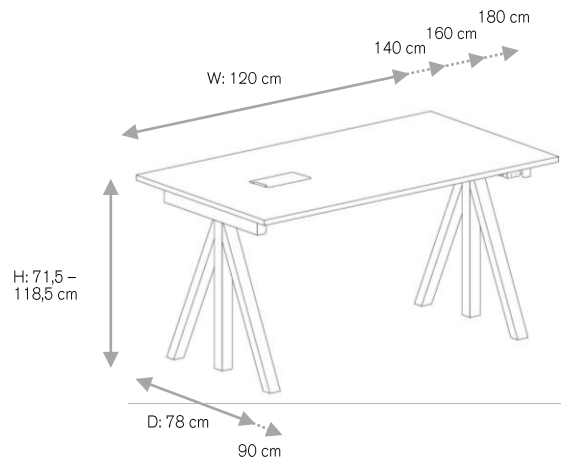
### Production

Table frame: Made in Latvia

Desktop: Made in Sweden

### Sustainability

The table frame is made from powder coated steel and can be recycled. The desktops are made from the renewable and recyclable material wood, with either veneer, linoleum or lacquered surfaces. Laminate is a plastic-based material that is very resistant towards scratches. Linoleum is a natural material that gives a soft and warm texture to the surface.



### Table frame



White RAL 9016



Black RAL 9005 – New 2023

### Desktop options



White laminate



Oak



Light grey linoleum NCS 5502-G



Black fine texture NCS 9000-N – New 2023



## Work desk

With its unique design, the work desk from Works makes it possible to create flexible workspaces. The work desk consists of one fixed table frame and one work desk with cable cover and the height can be adjusted 1 cm. Designed by Anna von Schewen and Björn Dahlström.

### About the designers – Björn and Anna

Architect and designer Anna von Schewen is considered one of Sweden's most progressive and experimental designers. She has together with her partner Björn Dahlström designed several products for String Furniture. Björn Dahlström is also a well-established Swedish industrial designer. He is represented in various museums around the world, including the national Museum for Art, Architecture and Design in Oslo, The Museum of Design & Craft (The Röhsska Museum) in Gothenburg and Victoria & Albert Museum in London.

### Product dimensions

Desktop options 120x78 cm / 140x78 cm / 160x78 cm / 180x90 cm

### Package dimensions

Table frame

W: 77 cm H: 26 cm D: 64 cm

Weight: 30,6 kg

Transported flat-packed, assembly needed.

Desktop

W: 127 cm H: 4cm D:84 cm / Weight: 18,1 kg

W: 147 cm H: 4cm D:84 cm / Weight: 21,3 kg

W: 166 cm H: 4cm D:84 cm / Weight: 24,2 kg

W: 186 cm H: 4cm D:96 cm / Weight: 31,1 kg

Transported flat-packed, assembly needed.

### Weight recommendation

60 kg evenly spread across the desktop.

### Materials and colors

Table frame in powder coated steel.

Desktop of MDF with surface options: laminate, veneer.

Linoleum or a fine texture coating.

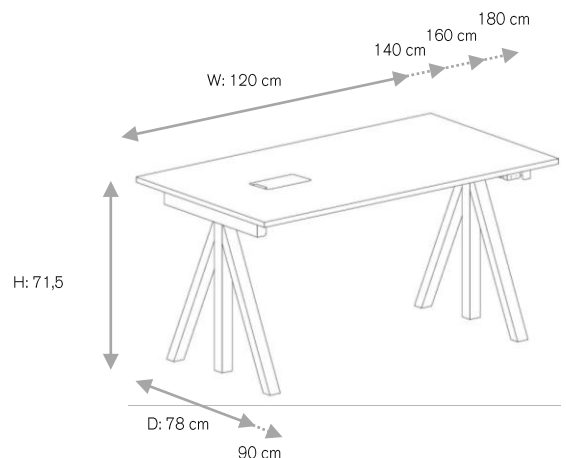
### Production

Table frame: Made in Latvia

Desktop: Made in Sweden

### Sustainability

The table frame is made from powder coated steel and can be recycled. The desktops are made from the renewable and recyclable material wood, with either veneer, linoleum or lacquered surfaces. Laminate is a plastic-based material that is very resistant towards scratches. Linoleum is a natural material that gives a soft and warm texture to the surface.



### Table frame



White RAL 9016



Black RAL 9005 – New 2023

### Desktop options



White laminate



Oak



Light grey linoleum NCS 5502-G



Black fine texture NCS 9000-N – New 2023

## Care and maintenance

Table frame: Wipe the surface with a cloth. Damp wipe with detergent solution. Then rub dry with a cloth. Remove stains with detergents that do not contain abrasives. Never use steel wool.

Desktop laminate or veneer: Wipe the surface with a cloth. Damp wipe with detergent solution. Then rub dry with a cloth. Remove stains with detergents that do not contain abrasives. Never use steel wool.

Desktop linoleum: Linoleum is made from natural elements and is therefore sensitive to harsh, chemical-based cleaning products. Commercial cleaning products that contain chemicals such as ammonia can permanently discolor your linoleum. If the spill can not be cleaned with water alone, use a with a mild cleansed solution (pH-neutral 7-8).

