

Equilibrist



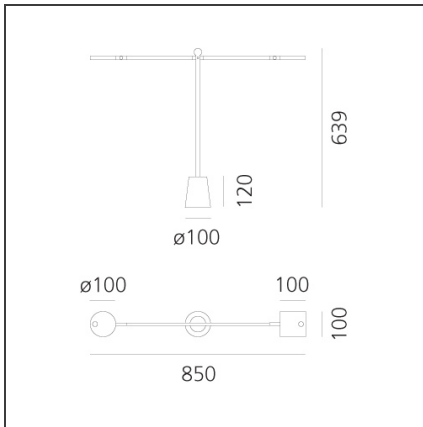
DESIGN BY

Jean Nouvel

DESCRIPTION

Two lamps like a scale pursuing balance. Equilibrist is a signalling leisure object – two different appliances turning, rotating around a vertical axis. A sort of high-tech traffic light, whose signals emit non-symmetrical light. Light control: separated switch dimmer.

TECHNICAL DRAWINGS



FEATURES

Article Code:	1442010A	Material:	Aluminium, zamak
Colour:	Black	Series:	Design
Installation:	Table		

DIMENSIONS

Length:	cm 85
Height:	cm 64
Base Diameter:	cm 11

INCLUDED SOURCES

Category:	LED	Color temperature (K):	3000K
Number:	1	CRI:	95
Watt:	6,3W	Efficacy:	38,75lm/W
Delivered lumens output (lm):	590lm		
Type:	0		
Class:	A		
Category:	LED	Color temperature (K):	3000K
Number:	1	CRI:	95
Watt:	2,7W	Efficacy:	48,75lm/W
Delivered lumens output (lm):	350lm		
Type:	0		
Class:	A		

LUMINAIRE

Watt:	12W	Delivered lumens output (lm):	620lm
		CCT:	3000K
		Efficiency:	145%
		Efficacy:	51.67lm/W
		CRI:	90