

BIS, TRIS

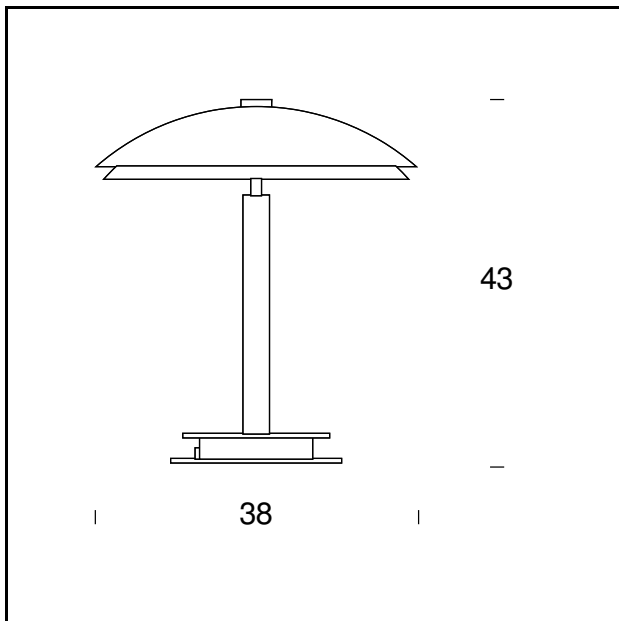
Historical Archive, 1954

Designed in 1954, the Bis and Tris table lamps still feature their contemporary shape, both for the version with polished brass frame and bowl in black opal glass (Bis) and also for the one with chromed metal frame and bowl in sandblasted glass painted white inside (Tris).



TECHNICAL SHEET

Table lamp. Lower diffuser in white sandblasted glass. BIS, polished brass frame. Bowl in black opaline glass, sandblasted and black interior finish. TRIS, chromed metal frame. Glass bowl, sandblasted and white interior finish. Black power cable, plug and switch.



MODEL NAME: Bis

CODE: 2280/Bis

DIMENSIONS: Ø 38 x 43 cm

MATERIALS: Glass, metal

COLORS

● Black

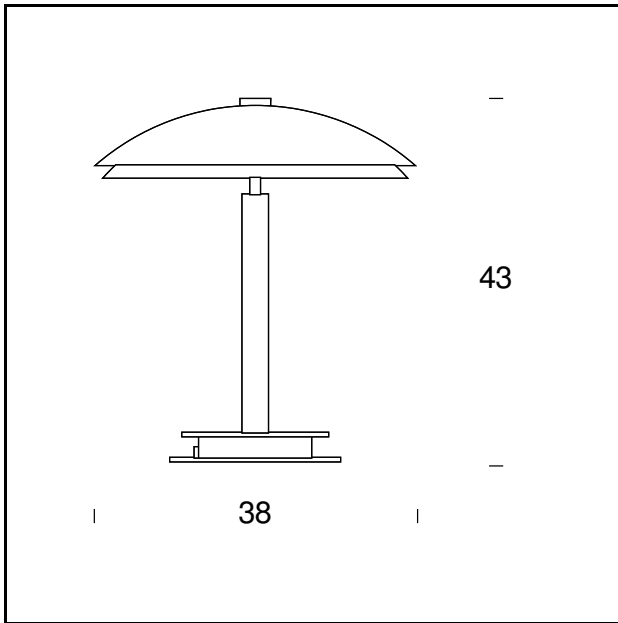
BULB: 4x28W (HA) Eco Saver E14

PLUG: Black

POWER CORD: Black

CERTIFICATIONS AND SYMBOLS:





MODEL NAME: Tris

CODE: 2280/Tris

DIMENSIONS: Ø 38 x 43 cm

MATERIALS: Glass, metal

COLORS

White

BULB: 4x28W (HA) Eco Saver E14

PLUG: Black

POWER CORD: Black

CERTIFICATIONS AND SYMBOLS:



Subject to technical modifications and modifications to content