
S-Table Dining Table - Rectangular

Designed by Marcel Gascoin -1953



ITEM NUMBER

25164

DESCRIPTION

The S-Table designed in 1953 is part of a unified collection that also includes the B-Table, C-Chair and Trèfle Stool. with its simple tapered legs, sturdy frame and space-efficient rectangular tabletop – extends by a meter, adding an extra two place settings on either end, meaning it can now seat up to ten. The tabletop splits across the center and slides apart, creating space for two insert leaves, which are stored underneath when not in use. The entire table, even the extending mechanism, is made from solid and veneered oak or walnut.

Materials & Finishes

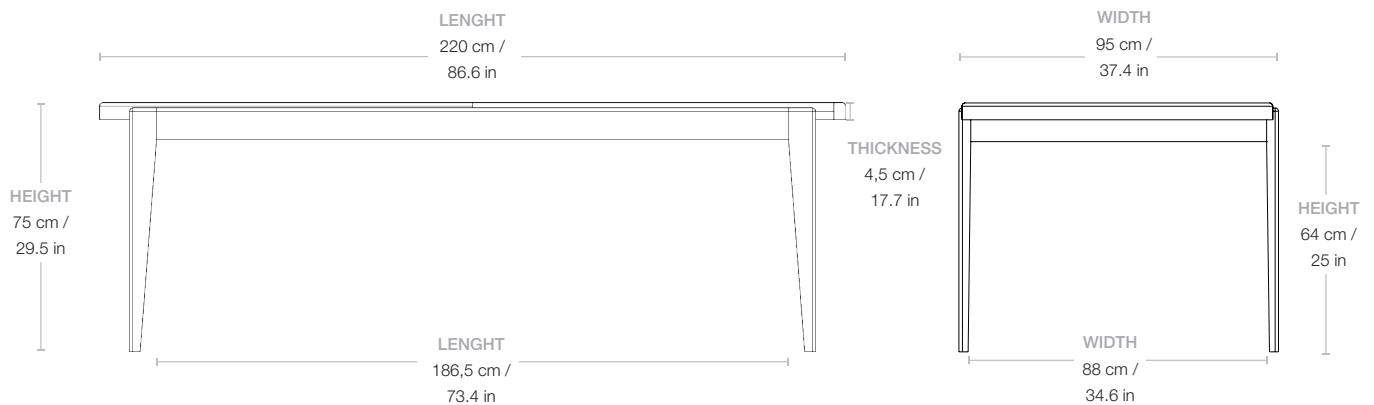
BASE FINISH

Oak Matt Lacquered / American Walnut Matt Lacquered

**MATERIALS**

Table top: Matt lacquered oak veneer / Matt lacquered American walnut veneer
Structure and legs: Matt lacquered solid oak / Matt lacquered solid American walnut

Dimensions



WIDTH	95 cm / 37.4 in
LENGTH	220 cm / 86.6 in
HEIGHT	75 cm / 29.5 in
SEATING HEIGHT CLEARANCE	64 cm / 25 in
SEATING WIDTH CLEARANCE	186.5 cm / 73.4 in
TABLE TOP THICKNESS	4.5 cm / 1.7 in

Weight

TOTAL WEIGHT	58 kg / 127.8 lb
---------------------	------------------

Packaging

NUMBER OF PARCELS	1
PACKAGING LENGTH	229 cm / 90 in
PACKAGING WIDTH	104 cm / 40.9 in
PACKAGING HEIGHT	29 cm / 11.5 in
PACKAGING WEIGHT	10 kg / 22 lb
GROSS WEIGHT	68 kg / 149.9 lb

Test & Certifications

TSCA	Yes
-------------	-----

SUSTAINABILITY

Our products are made to last however parts can be separated and sorted for recycling, 100% of our wood products are manufactured to comply with EUTR
The S-Table is manufactured with FSC certified Oak

Glidesw**PLASTIC GLIDES**

Included as standard

KEY FEATURES

- Fast track, shipped within 5 working days across Europe
 - Flat packed
 - Can seat up to 6 people
 - Maximum cantilever load 40kg /88lb according to EN 1730
-