

BESTLITE BL3M // FLOOR LAMP, EU MODEL
Designed by Robert Dudley Best

PRODUCT



Item no.: 001-0313X
+ style code

DESCRIPTION

Bestlite has been in continuous production since 1930. Robert Dudley Best created Bestlite design. He was highly influenced by the Bauhaus. In the past 80 years, people appreciated the lamps and it decorates many homes, hotels and restaurants worldwide. Loved by architects, designers and design aficionados throughout its 80-year history, today, Bestlite enjoys global iconic status.

VERSION - BESTLITE FLOOR LAMP BL3M

Shade and base: Black, White or Off-White
Tube and arm: Chromed steel

RAL codes are indicative.

- Fabric wire - Black:
- Black / White inside // RAL 9004 / RAL 9003 // Gloss level 20 / Gloss level 20
- Fabric wire - Off-White:
- Off-White / White inside // RAL 1015 / RAL 9003 // Gloss level 20 / Gloss level 20
- Fabric wire - White:
- White / White inside // RAL 9003 / RAL 9003 // Gloss level 20 / Gloss level 20

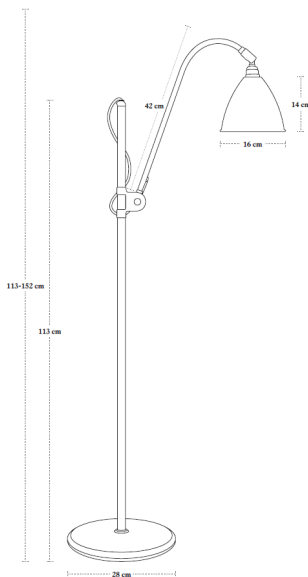
Please contact us for other colours or finishes.

VERSION

Order item - look for part number in the pricelist.

Series contains the following:

BL3S, BL3M, BL3 Original shade, BL4



COLOURS



FACTS

MEASUREMENT - L X W X H MM
Lamp height: 1130-1520 mm
Lamp stand: Ø280 mm
Shade height: 180 mm
Shade diameter: Ø210 mm
Cord - total length w/sw: App. 4500 mm
Cord - exposed out of lamp: App. 4230 mm

WEIGHT ITEM - LAMP INCL. WIRE
5426 g

PACKAGING TYPE
White cardboard box w/ 5ply corrugated

PACKAGING MEASUREMENT - L X W X H CM
L:34 x W:37 x H:120 cm

WEIGHT PACKAGING - MATERIAL TYPE
- LD EPE foam bund: 68,5 g
- LD EPE foam top: 148,5 g
- LD EPE foam top: 75,5 g
- Bestlite key: 18 g
- PE polybag: 1 g
- PE polybag: 180g
- Cardboard inside: 23 g
- Cardboard outside: 1713 g
- Strapping: 7 g

WEIGHT PACKAGING - TOTAL
7742 g

NUMBER OF PARCELS
1 pcs.

LIGHT SOURCE:
- Socket: E14 base
- Recommended light source: *All fluorescens light bulbs*
- Recommended wattage: 9 W = (40 WATT incandescent bulbs)
- Max wattage: 13 W

- Recommended light source: *Halogen light bulb*
- Recommended wattage: 28 W = (40 WATT incandescent bulbs)
- Max wattage: 28 W

- *All lamps can be fitted with a dimmer. Please contact your local electrician.*

- *Lightbulb not included*

BESTLITE BL3M // FLOOR LAMP, EU MODEL
Designed by Robert Dudley Best

CLEANING AND MAINTENANCE

Use a soft damp cloth when cleaning your Bestlite lamp. Do not use household cleaners.

ACCESSORIES

Item no.: 001-99058A plug EU

ENVIRONMENT

-

TESTS

-

CERTIFICATION AND LABELS

CE-CERTIFIED

STANDARD

STOCK - BL3M: Floor lamp

- Euro plug: Type C, 2 PIN, 2,5 amp
- Euro voltage: 230 V
- Frequency: 50 Hz
- Supply voltage: AC power ~
- Normally Closed IP20



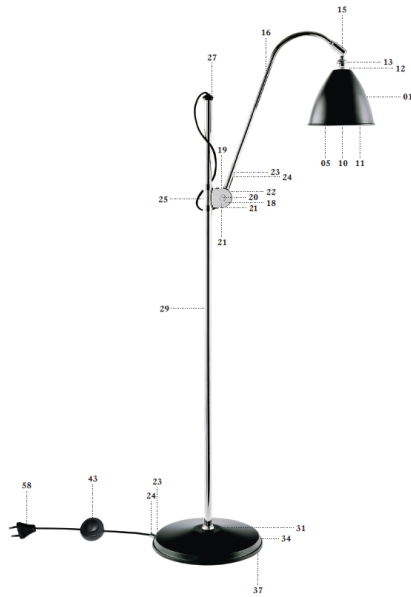
Class II / Double insulated



CE-Mark



Luminaires accepted for mounting on a flammable base



KOMPONENTS

- 01 // Shade, 115,5 g
- 05 // Lamp holder
- 10 // Insulating ring
- 11 // Internal shade ring
- 12 // External shade ring
- 13 // Lamp holder cover
- 15 // Universal joint
- 16 // Bestlite arm
- 18 // Bestlite clip
- 19 // Bestlite nut
- 20 // Bestlite bolt
- 21 // Tension spring
- 22 // Fibre washer
- 23 // Cord grip
- 24 // Cord grip cover
- 25 // Acetate
- 27 // Top knob with hole
- 29 // Tube
- 31 // Collar
- 34 // Base cover
- 37 // Feltac
- 38 // Textile covered cord
- 43 // Foot switch
- 58 // Plug

Item no.: 001-0313X

14 // Bestlite key

MATERIAL

Shade: Powder coated aluminium
Tube and arm: Chromed steel
Textile covered cord

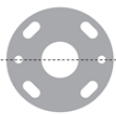
INSTALLATION INSTRUCTIONS

The Bestlite key:

It's a practical tool that enables you to fasten the lamp arm. Simply use it like a screwdriver in the slot in the Bestlite nut.

It is forbidden to push!

Do not use a power drill or use directly on your wall for accurate placing of the hole. Make use of the Bestlite 3-Block.



Technical information:

Light source: E14 or E27 incandescent or LED halogen bulb. Not power of other lighting fixtures. The lamp is not approved for outdoor use or use in damp/wet rooms.

Some advice on cleaning your Bestlite:

Powder coated parts - base/bracket and shade: Wipe the parts with a damp cloth. Avoid to use water and a lot of mild detergent.

Chrome plated parts:

Wipe the parts with a damp cloth and avoid dry to being touching. If the surface is dirty use a mild (pH) neutral detergent for incandescent or other soft metals.

Use only soft cloth for wiping and polishing. Never scrape or abrade metal.

Do not use abrasive household cleaners. Do not use acidic or alkaline cleaning products, glass cleaners or household ammonia.



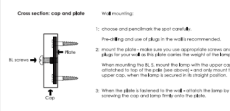
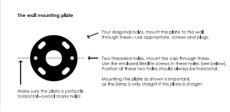
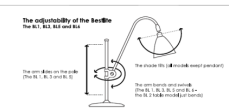
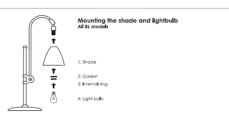
Over Bestlite columns:

Comprehension of our Bestlite. You have chosen a classic design. Design which has been a timeless production for over 60 years. To make it fit to our modern life we have added a lot of details.

On the other side of the Bestlite, we have some useful information for you. It is important to read it carefully. It will help you to avoid any problems and to enjoy the Bestlite.

Best regards:

Bestlite



Designed by Robert Dudley Best

PRODUCT



Item no.: 001-0313X
+ style code

Don't polish the brass

DESCRIPTION

Bestlite has been in continuous production since 1930. Robert Dudley Best created Bestlite design. He was highly influenced by the Bauhaus. In the past 80 years, people appreciated the lamps and it decorates many homes, hotels and restaurants worldwide. Loved by architects, designers and design aficionados throughout its 80-year history, today, Bestlite enjoys global iconic status.

VERSION - BESTLITE FLOOR LAMP BL3M

Shade: Charcoalblack, Matt-White or Grey
Tube and arm: Brass with lacquered surface

Shade and base: Brass with lacquered surface
Tube and arm: Brass with lacquered surface

RAL codes are indicative.

- Fabric wire - Black:
- Charcoal black/Brass / White inside // RAL 9011 / RAL 9003 // Gloss level 20 / Gloss level 20
- Grey w/Brass / White inside // RAL 2604005 / RAL 9003 // Gloss level 30 / Gloss level 20
- Brass w/Brass / White inside // - / RAL 9003 // - / Gloss level 20

- Fabric wire - Off-White:
- Matt-White w/Brass / White inside // RAL 9003 / RAL 9003 // Gloss level 20 / Gloss level 20

Please contact us for other colours or finishes.

VERSION

Order item - look for part number in the pricelist.

Series contains the following:

BL3S, BL3M, BL3 Original shade, BL4

COLOURS



// Charcoal black / Brass



// Grey / Brass



// Matt-White / Brass



// All Brass

FACTS

MEASUREMENT - L X W X H MM

Lamp height: 1130-1520 mm
Lamp stand: Ø280 mm
Shade height: 180 mm
Shade diameter: Ø210 mm
Cord - total length w/sw: App. 4500 mm
Cord - exposed out of lamp: App. 4230 mm

WEIGHT ITEM - LAMP INCL. WIRE
5426 g

PACKAGING TYPE
White cardboard box w/ 5ply corrugated

PACKAGING MEASUREMENT - L X W X H CM
L:34 x W:37 x H:120 cm

WEIGHT PACKAGING - MATERIAL TYPE

- LD EPE foam bund: 68,5 g
- LD EPE foam top: 148,5 g
- LD EPE foam top: 75,5 g
- Bestlite key: 18 g
- PE polybag: 1 g
- PE polybag: 180g
- Cardboard inside: 23 g
- Cardboard outside: 1713 g
- Strapping: 7 g

WEIGHT PACKAGING - TOTAL
7742 g

NUMBER OF PARCELS
1 pcs.

LIGHT SOURCE:

- Socket: E14 base
- Recommended light source: *All fluorescens light bulbs*
- Recommended wattage: 9 W = (40 WATT incandescent bulbs)
- Max wattage: 13 W

- Recommended light source: *Halogen light bulb*
- Recommended wattage: 28 W = (40 WATT incandescent bulbs)
- Max wattage: 28 W

- All lamps can be fitted with a dimmer.
Please contact your local electrician.

- Lightbulb not included

Designed by Robert Dudley Best

CLEANING AND MAINTENANCE

Use a soft damp cloth when cleaning your Bestlite lamp. Do not use household cleaners.

ACCESSORIES

Item no.: 001-99058A plug EU

ENVIRONMENT

TESTS

-

CERTIFICATION AND LABELS

CE-CERTIFIED

STANDARD

STOCK - BL3M: Floor lamp

- Euro plug: Type C, 2 PIN, 2,5 amp
- Euro voltage: 230 V
- Frequency: 50 Hz
- Supply voltage: AC power ~
- Normally Closed IP20



Class II / Double insulated



CE-Mark

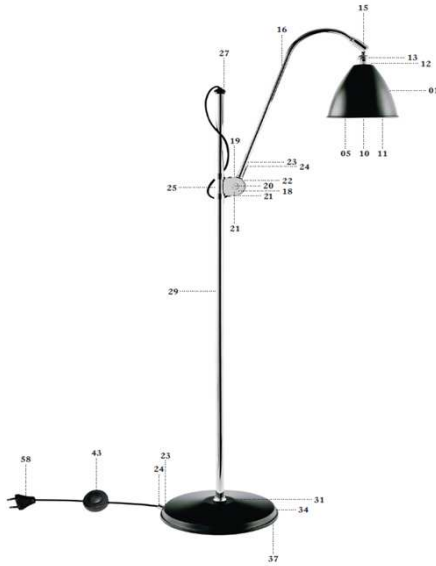


Luminaires accepted for mounting on a flammable base

KOMPONENTS

- 01 // Shade, 115,5 g
- 05 // Lamp holder
- 10 // Insulating ring
- 11 // Internal shade ring
- 12 // External shade ring
- 13 // Lamp holder cover
- 15 // Universal joint
- 16 // Bestlite arm
- 18 // Bestlite clip
- 19 // Bestlite nut
- 20 // Bestlite bolt
- 21 // Tension spring
- 22 // Fibre washer
- 23 // Cord grip
- 24 // Cord grip cover
- 25 // Acetate
- 27 // Top knob with hole
- 29 // Tube
- 31 // Collar
- 34 // Base cover
- 37 // Feltac
- 38 // Textile covered cord
- 43 // Foot switch
- 58 // Plug

Item no.: 001-0313X



14 // Bestlite key

MATERIAL

- Shade: Charcoalblack, White or Grey
- Tube and arm: Brass with lacquered surface
- Textile covered cord

Shade and base: Brass with lacquered surface

Tube and arm: Brass with lacquered surface

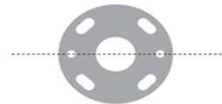
Textile covered cord

INSTALLATION INSTRUCTIONS

The Bestlite key:

It's a practical tool that enables you to fasten the lamp arm. Simply use it like a screwdriver in the slot in the Bestlite nut.

It is forbidden for assembly and use directly on your wall for accurate placing of the lamp. Refer to the additional manual.



Technical information:

Light source: 1 x E 27 incandescent or LED halogen bulb. See page 4 for lamping height table. The lamp is not intended for outdoor use or use in damp/room rooms.

Some advice on cleaning your Bestlite:

Powder coated parts - base, bracket and shade: Wipe the parts with a damp cloth to remove water and a bit of dust detergent.

Chrome plated parts:

Wipe the chrome plated parts with a damp cloth to remove water. Do not use abrasive cleaning products. Do not use acetone or household cleaners.

Use only soft cloth for aging and polishing, never springs or steel wool. Do not use abrasive household cleaners. Do not use acetone or household cleaners.

BESTLITE - GUBI, Skovvej 7-9, DK-2450, Copenhagen, Denmark - www.bestlite.com



Dear Bestlite customer,
Congratulations on your purchase!
We are pleased to have you as a customer and we hope you will enjoy using your Bestlite lamp for many years to come.
Please read the instructions carefully before using the lamp. The lamp is not intended for outdoor use or use in damp/room rooms.
Do not use acetone or household cleaners.
Do not use abrasive cleaning products.
Do not use acetone or household cleaners.
Do not use acetone or household cleaners.

BESTLITE
Skovvej 7-9, DK-2450, Copenhagen, Denmark

