

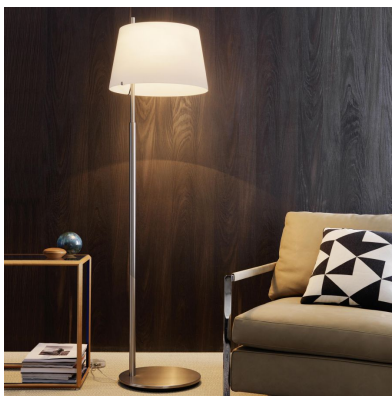
# PASSION

Studio Beretta Associati, 2004

Passion is a harmonious union of the delicateness of frosted glass and the pureness of metal. Available in suspension, table, and floor versions. In the latter, the stem is placed off centre on the base.



## RELATED PRODUCTS



### PASSION

*Floor Lamp*

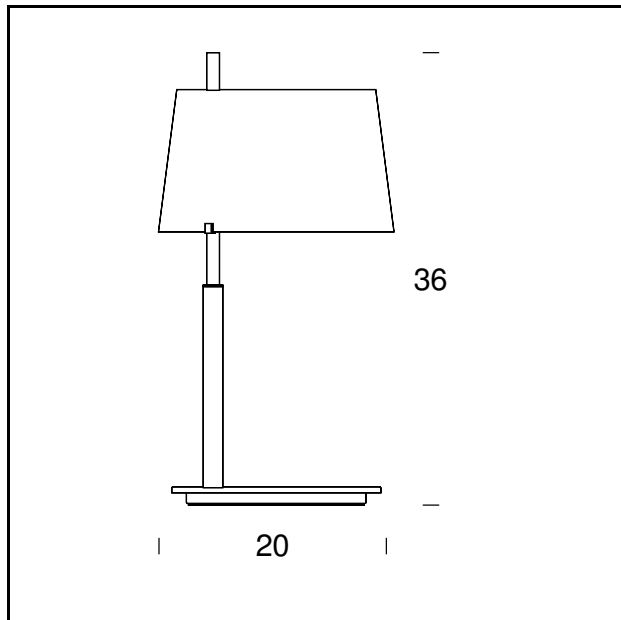


### PASSION

*Suspension Lamp*

## TECHNICAL SHEET

Table lamp with dimmer. Chromed CR or brushed nickel-plated NC brass frame. Diffuser in opaline frosted white blown glass. Metal upper reflector. Transparent power cable, dimmer and plug.



**MODEL NAME:** Passion

**CODE:** 3610/00..

**DIMENSIONS:**  $\varnothing$  20 × 36 cm

**MATERIALS:** Glass, metal

### COLORS

- Chrome-Plated
- Nickel-Plated - RAL Code: RAL 9006 Matt

**BULB:** 1×60W (HA) or 1×48W (HA) Eco Saver G9

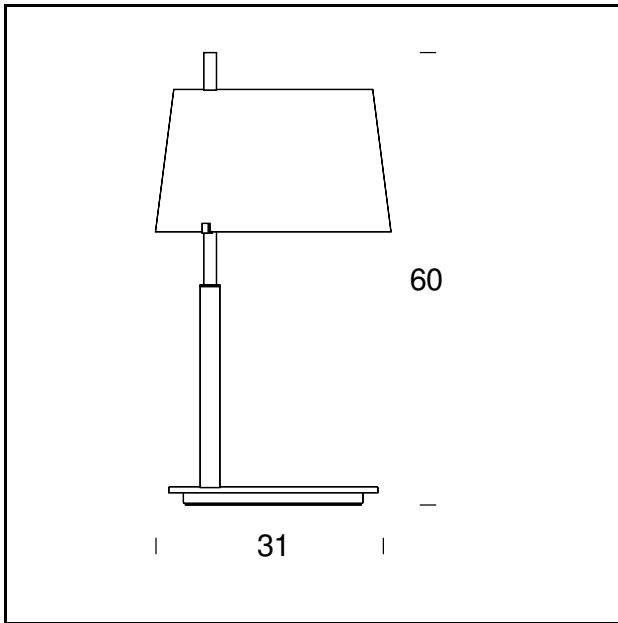
**PLUG:** Transparent

**POWER CORD:** Transparent

**DIMMER:** Dimmer

### CERTIFICATIONS AND SYMBOLS:





**MODEL NAME:** Passion

**CODE:** 3610/0..

**DIMENSIONS:**  $\varnothing$  31  $\times$  60 cm

**MATERIALS:** Glass, metal

#### **COLORS**

- Chrome-Plated
- Nickel-Plated - RAL Code: RAL 9006 Matt

**BULB:** 1 $\times$ 150W (HA) Eco Saver or 1 $\times$ 20W (FL) E27

**PLUG:** Transparent

**POWER CORD:** Transparent

**DIMMER:** Dimmer

#### **CERTIFICATIONS AND SYMBOLS:**



Subject to technical modifications and modifications to content